



## The RC1 Unassembled



## **RC-1 ROCK CRUSHER INTRODUCTION AND THEORY**

The RC-1 Rock Crusher is basically what is known as an "Impact Mill", this type of mill crushes rock by throwing rock against an impact wall at a very high speed. The impact mill has several advantages over other types of crushers; one of which is longevity and another is simplicity. There is only one moving part in an impact mill, "the rotating impact blade". One inch and minus rocks are fed into the center of the rotating blade. Rocks are thrown outward by centrifugal force at tremendous high impact speed causing them to shatter into fine particles.

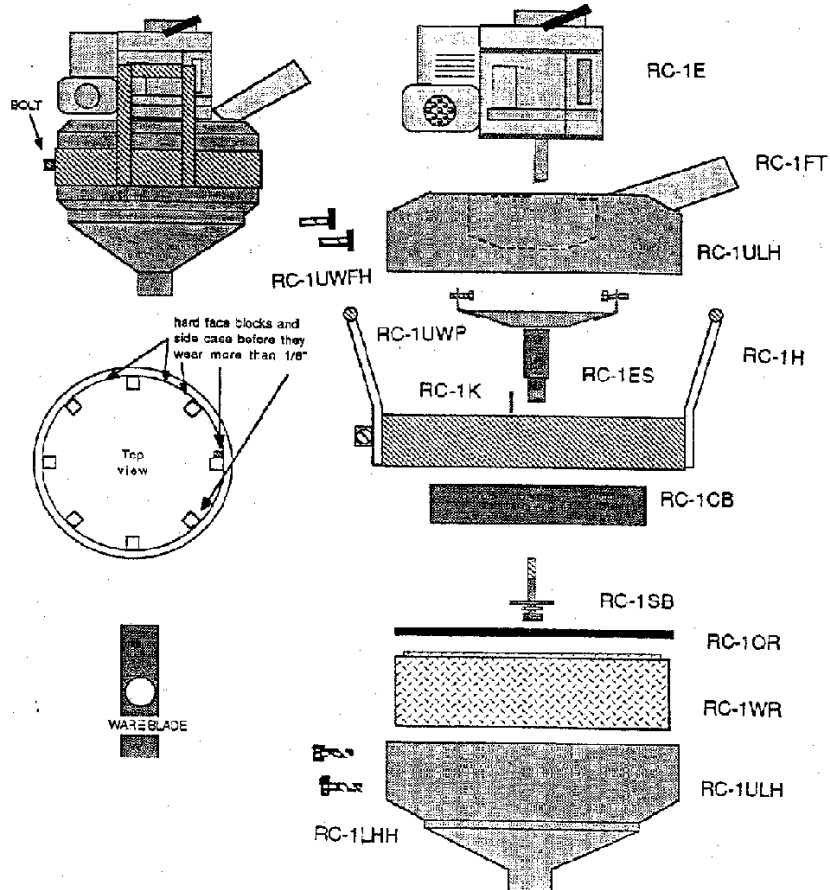
### **SAFETY INSTRUCTIONS**

1. ALWAYS WEAR HEAVY LEATHER GLOVES AND SAFETY GOGGLES WHEN OPERATING THE RC-1.
2. NEVER PICK UP OR MOVE CRUSHER WHILE UNIT IS IN OPERATION.
3. DO NOT ATTEMPT TO CLEAR ROCK OUT OF CRUSHER THROAT WHILE THE UNIT IS RUNNING.
4. ALWAYS STAND OFF TO THE SIDE OF THE FEED TROUGH, IN THE EVENT OF A ROCK BEING THROWN OUT OF THE FEED TROUGH.

### **OPERATING INSTRUCTIONS**

1. Place crusher on a standard five-gallon bucket, making sure that bucket is placed on a solid stable ground to avoid danger of tipping over during operation.
2. The engine does not contain oil. Read the engine manual for type and quantity of oil before starting.
3. Slowly begin feeding crusher, with dry, one inch and minus rocks. We recommend that it be fed with an additional five-gallon bucket, do not exceed one third full. This will allow the operator to determine amount of crushed material contained in crusher bucket.
4. The fineness of the grind can be varied by the amount of passes through the crusher. Average quartz type ore should require- approximately 3 to 6 passes for a fine grind. Rocks that are extremely hard, contain moisture or have a metallic characteristics may require additional passes through the crusher.
5. If the RC-1 crusher is placed in a stationary position, a five-gallon bucket can be modified with a large hole in the bottom or side to allow the material to fall into a separate container. This will make it easier to make additional passes through the crusher.

# RC-1 ASSEMBLY AND PARTS LIST



QUANTITY	PART #	DESCRIPTION
1	RC-1E	5 H/P VERTICAL ENGINE
1	RC-1ULH	UPPER / LOWER HOUSING ASSY.
1	RC-1FT	FEED TROUGH
1	RC-1UWP	UPPER WEAR PLATE & BOLTS
1	RC-1ES	EXTENTION SHAFT
1	RC-1K	KEY FOR SHAFT
1	RC-1CB	CRUSHER BLADE
1	RC-1 SB	SHAFT BOLT
1	RC-1OR	O RING
1	RC-1 WP	WEAR RING
4	RC-1LHH	LOWER HEX HEAD BOLTS 5/16" X 1"
4	RC-1UWFH	UPPER WELD, FLAT HEAD BOLTS 1/4" X 3/4"
2	RC-1 H	HANDLES